

IGBT MODULE (U series) 1200V / 75A / PIM



■ Features

- Low $V_{CE(sat)}$
- Compact Package
- P.C. Board Mount Module
- Converter Diode Bridge Dynamic Brake Circuit

■ Applications

- Inverter for Motoe Drive
- AC and DC Servo Drive Amplifier
- Uninterruptible Power Supply

■ Maximum ratings and characteristics

● Absolute maximum ratings ($T_c=25^{\circ}\text{C}$ unless otherwise specified)

Item	Symbol	Condition	Rating	Unit		
Inverter	Collector-Emitter voltage	V_{CES}	1200	V		
	Gate-Emitter voltage	V_{GES}	± 20	V		
	Collector current	I_c	Continuous	$T_c=25^{\circ}\text{C}$	75	A
				$T_c=80^{\circ}\text{C}$	50	
		I_{CP}	1ms	$T_c=25^{\circ}\text{C}$	150	
				$T_c=80^{\circ}\text{C}$	100	
		$-I_c$		75		
$-I_c$ pulse	1ms	150				
Collector power dissipation	P_c	1 device	275	W		
Brake	Collector-Emitter voltage	V_{CES}	1200	V		
	Gate-Emitter voltage	V_{GES}	± 20	V		
	Collector current	I_c	Continuous	$T_c=25^{\circ}\text{C}$	35	A
				$T_c=80^{\circ}\text{C}$	25	
		I_{CP}	1ms	$T_c=25^{\circ}\text{C}$	70	
				$T_c=80^{\circ}\text{C}$	50	
Collector power dissipation	P_c	1 device	160	W		
Repetitive peak reverse voltage	V_{RRM}		1200	V		
Converter	Repetitive peak reverse voltage	V_{RRM}	1600	V		
	Average output current	I_o	50Hz/60Hz sine wave	75	A	
	Surge current (Non-Repetitive)	I_{FSM}	$T_j=150^{\circ}\text{C}$, 10ms	520	A	
	I^2t (Non-Repetitive)	I^2t	half sine wave		1352	A^2s
Operating junction temperature	T_j		+150	$^{\circ}\text{C}$		
Storage temperature	T_{stg}		-40 to +125	$^{\circ}\text{C}$		
Isolation voltage	between terminal and copper base *2	V_{iso}	AC : 1 minute	AC 2500	V	
	between thermistor and others *3			AC 2500	V	
Mounting screw torque			3.5 *1	N·m		

*1 Recommendable value : 2.5 to 3.5 N·m (M5)

*2 All terminals should be connected together when isolation test will be done.

*3 Two thermistor terminals should be connected together, each other terminals should be connected together and shorted to base plate when isolation test will be done.

● Electrical characteristics (Tj=25°C unless otherwise specified)

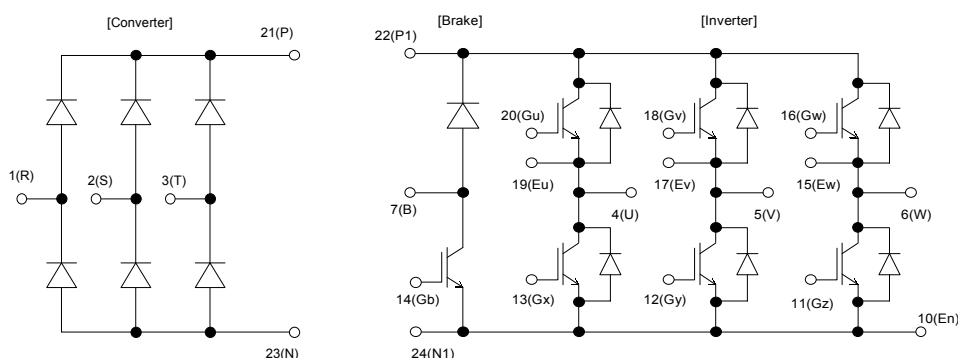
Item	Symbol	Condition	Characteristics			Unit			
			Min.	Typ.	Max.				
Inverter	Zero gate voltage collector current	ICES	VCE=1200V, VGE=0V		-	1.0	mA		
	Gate-Emitter leakage current	IGES	VCE=0V, VGE=±20V		-	200	nA		
	Gate-Emitter threshold voltage	VGE(th)	VCE=20V, IC=75mA		4.5	6.5	8.5	V	
	Collector-Emitter saturation voltage	VCE(sat) (terminal)	VGE=15V IC=75A	Tj=25°C	-	2.35	2.80	V	
				Tj=125°C	-	2.75	-		
		VCE(sat) (chip)		Tj=25°C	-	2.00	2.45		
				Tj=125°C	-	2.40	-		
	Input capacitance	Cies	VGE=0V, VCE=10V, f=1MHz		-	6	-	nF	
	Turn-on time	ton	VCC=600V		-	0.53	1.20	μs	
		tr	IC=75A		-	0.43	0.60		
		tr(i)	VGE=±15V		-	0.03	-		
	Turn-off time	toff	RG= 22 Ω		-	0.37	1.00	μs	
		tr			-	0.07	0.30		
Forward on voltage	VF (terminal)	VGE= 0 V IF=75A	Tj=25°C	-	2.15	2.50	V		
			Tj=125°C	-	2.35	-			
	VF (chip)		Tj=25°C	-	1.80	2.15			
			Tj=125°C	-	2.00	-			
Reverse recovery time	trr	IF=75A		-	-	0.35	μs		
Brake	Zero gate voltage collector current	ICES	VCE=1200V, VGE=0V		-	1.0	mA		
	Gate-Emitter leakage current	IGES	VCE=0V, VGE=±20V		-	200	nA		
	Collector-Emitter saturation voltage	VCE(sat) (terminal)	IC=35A VGE=15V	Tj=25°C	-	2.30	2.75	V	
				Tj=125°C	-	2.65	-		
		VCE(sat) (chip)		Tj=25°C	-	1.95	2.40		
				Tj=125°C	-	2.30	-		
	Turn-on time	ton	VCC=600V		-	0.53	1.20	μs	
		tr	IC=35A		-	0.43	0.60		
	Turn-off time	toff	VGE=±15V		-	0.37	1.00	μs	
		tr	RG= 43 Ω		-	0.07	0.30		
	Reverse current	IRRM	VR=1200V		-	-	1.0	mA	
	Converter	Forward on voltage	VFM	IF=75A VGE=0V	terminal	-	1.40	1.75	V
					chip	-	1.30	-	
Reverse current	IRRM	VR=1600V		-	-	1.0	mA		
Thermistor	Resistance	R	T=25°C	-	5000	-	Ω		
			T=100°C	465	495	520			
B value	B	T=25/50°C		3305	3375	3450	K		

● Thermal resistance Characteristics

Item	Symbol	Condition	Characteristics			Unit
			Min.	Typ.	Max.	
Thermal resistance (1 device)	Rth(j-c)	Inverter IGBT	-	-	0.45	°C/W
		Inverter FWD	-	-	0.73	
		Brake IGBT	-	-	0.76	
		Converter Diode	-	-	0.50	
Contact thermal resistance *	Rth(c-f)	With thermal compound	-	0.05	-	

* This is the value which is defined mounting on the additional cooling fin with thermal compound

■ Equivalent Circuit Schematic



■ Characteristics (Representative)

